



## WALLDIN-F i5 1235U

FANLESS IPC

- Intel® Core™ 12<sup>th</sup> Processor (i5-1235U)
- 2x DDR5 4800 MHz up to 64GB RAM
- 12-24V, DC-in w/ 220VAC Power Adapter
- 4x USB 3.0 + 2x COM (RS232/485) + 2x GPIO
- 4x Gigabit Ethernet LAN + 2x GbE or 2.5GbE or PoE option
- WIFI or 4G/5G connectivity (Optional)
- 2x 8K Video interface (DP)
- Desktop, Wall, Book and DIN-Rail mount options



### MAINBOARD

**CPU:** Intel® Core™ i5-1235U  
10 Core / 12 Thread  
1.3 GHz (Base) / 4.4 GHz (Turbo), 15W

### MEMORY

**Capacity:** up to 64GB  
**Frequency:** 4800 MHz  
**Type:** 2x SO-DIMM DDR5

### STORAGE

**MSATA:** 1x MSATA (Full-size)  
**M.2:** 1x M.2 M-Key (2280, NVMe)

### I/O INTERFACE

**Serial ports:** 2x COM RS232/485 ( Terminal Block)  
**USB ports:** 4x USB 3.0  
**Mini-PCIe:** 1x Mini-PCIe (Full-size, WIFI or 4G/5G)  
**SIM:** 1x SIM Slot (NanoSIM)  
**GPIO:** 2x GPIO

### VIDEO

**GPU:** Intel® Iris Xe Graphics  
**Interface:** 2x DP1.4 (Up to 7680x4320 @60Hz)

### ETHERNET

**LAN:** 1x Intel i219-LM Gigabit LAN  
3x Intel i210-AT Gigabit LAN  
2x Intel LAN port with  
GbE or 2.5GbE or PoE option

### POWER

**Power in:** 12-24V, DC-in  
**Max Power :** 90W max  
**Adapter:** AC 90~240V to DC 12V @7.5A/90W

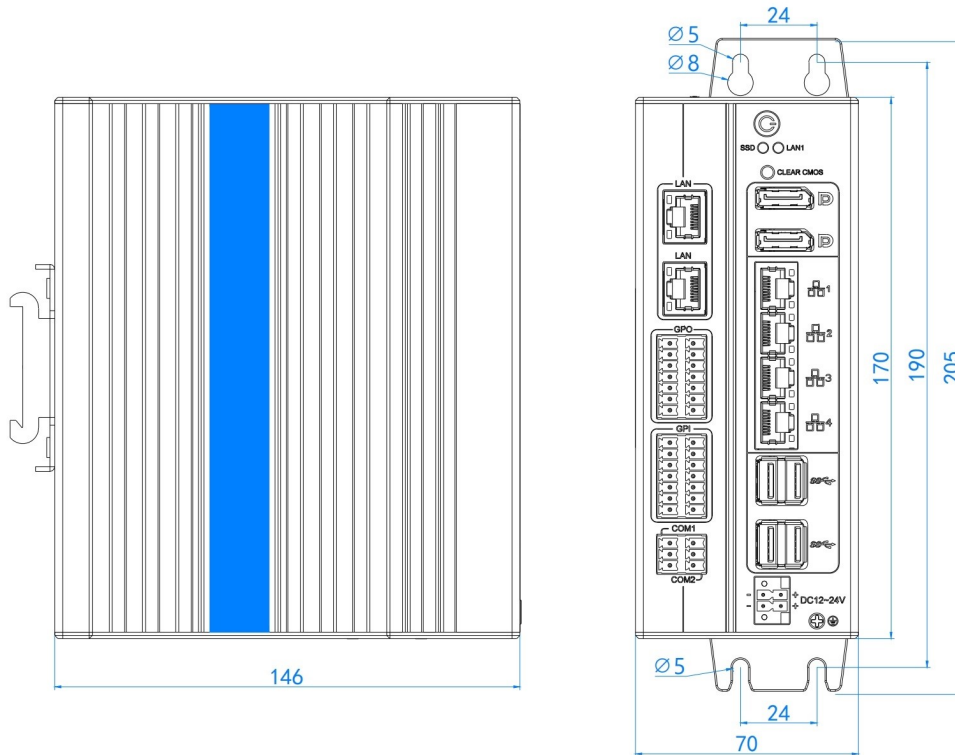
### MECHANICAL

**Material:** High-quality aluminum  
**Dimensions:** (W)205x(D)146x(H)70mm  
**Weight:** <1,9 Kg  
**Mounting:** Desktop, Wall, Book and DIN Rail Mount

### ENVIRONMENT

**Operating temp.:** -20°C to +60°C - w/Air Flow  
**Storage temp.:** -20°C to 85°C  
**Humidity:** 10% to 90% RH @40°C, non-condensing  
**EMC:** CE, FCC, RoHS

# INDATECH®



**Accessories Included:**

- Power Adapter 12V @90W + Power Cable
- Wall, Book and DIN Rail Mounting options on request, Default Desktop Mount.

**Compatible OS:**

**MS WINDOWS** (64bit)

- Windows 10
- **Windows 10 Enterprise LTSC (IoT)**
- Windows 11
- Windows 11 Enterprise LTSC (IoT)



**LINUX \***

- CentOS 8
- Debian 12
- Fedora 39
- Ubuntu 22.04 LTS
- pfSense 2.7.2



*\* Linux distributions tested with the IPC.*

**Order Code:**

**B04 - 27C - WALLDIN-F - I5-1235U - RXX - SSDXXX**

<b>RAM</b>	<b>R08</b>	(8 GB)	<b>STORAGE</b>	<b>MSD</b>	(mSATA)	<b>M2D/MSD256</b>
	<b>R16</b>	(16 GB)		<b>M2D</b>	(M.2)	Other on Request
	<b>R32</b>	(32 GB)				
	<b>R64</b>	(64 GB)				

\*All product information may subject to change without prior notice.

\*The rights of all brand names, product names and trademarks belong to their respective owners.

**SARC ITALIA SRL**

Strada Albareto, 503 - 41122 Modena - ITALY  
Tel. +39 059 8751076 Fax. +39 059 8751025

Website: [www.indatech.it](http://www.indatech.it)

Email: [info@indatech.it](mailto:info@indatech.it)

Copyright © 2024 INDATECH. All rights reserved.