



WALLDIN-Slim i7 1255U

FANLESS IPC

- Intel® Core™ 12th Processor (i7-1255U)
- 2x DDR5 4800 MHz up to 64GB RAM
- 12-24V, DC-in w/ 220VAC Power Adapter
- 4x USB 3.0
- 4x Gigabit Ethernet LAN
- WIFI or 4G/5G connectivity (Optional)
- 2x 8K Video interface (DP)
- Desktop, Wall, Book and DIN-Rail mount options



MAINBOARD

CPU: Intel® Core™ i7-1255U
10 Core / 12 Thread
1.7 GHz (Base) / 4.7 GHz (Turbo), 15W

MEMORY

Capacity: up to 64GB
Frequency: 4800 MHz
Type: 2x SO-DIMM DDR5

STORAGE

MSATA: 1x MSATA (Full-size)
M.2: 1x M.2 M-Key (2280, NVMe)

I/O INTERFACE

USB ports: 4x USB 3.0
Mini-PCIe: 1x Mini-PCIe (Full-size, WIFI or 4G/5G)
SIM: 1x SIM Slot (NanoSIM)

VIDEO

GPU: Intel® Iris Xe Graphics
Interface: 2x DP1.4 (Up to 7680x4320 @60Hz)

ETHERNET

LAN: 1x Intel i219-LM Gigabit LAN
3x Intel i210-AT Gigabit LAN

POWER

Power in: 12-24V, DC-in
Max Power : 90W max
Adapter: AC 90~240V to DC 12V @7.5A/90W

MECHANICAL

Material: High-quality aluminum
Dimensions: (W)205x(D)146x(H)50mm
Weight: <1,6 Kg
Mounting: Desktop, Wall, Book and DIN Rail Mount

ENVIRONMENT

Operating temp.: -20°C to +60°C - w/Air Flow
Storage temp.: -20°C to 85°C
Humidity: 10% to 90% RH @40°C, non-condensing
EMC: CE, FCC, RoHS

*All product information may subject to change without prior notice.

*The rights of all brand names, product names and trademarks belong to their respective owners.

SARC ITALIA SRL

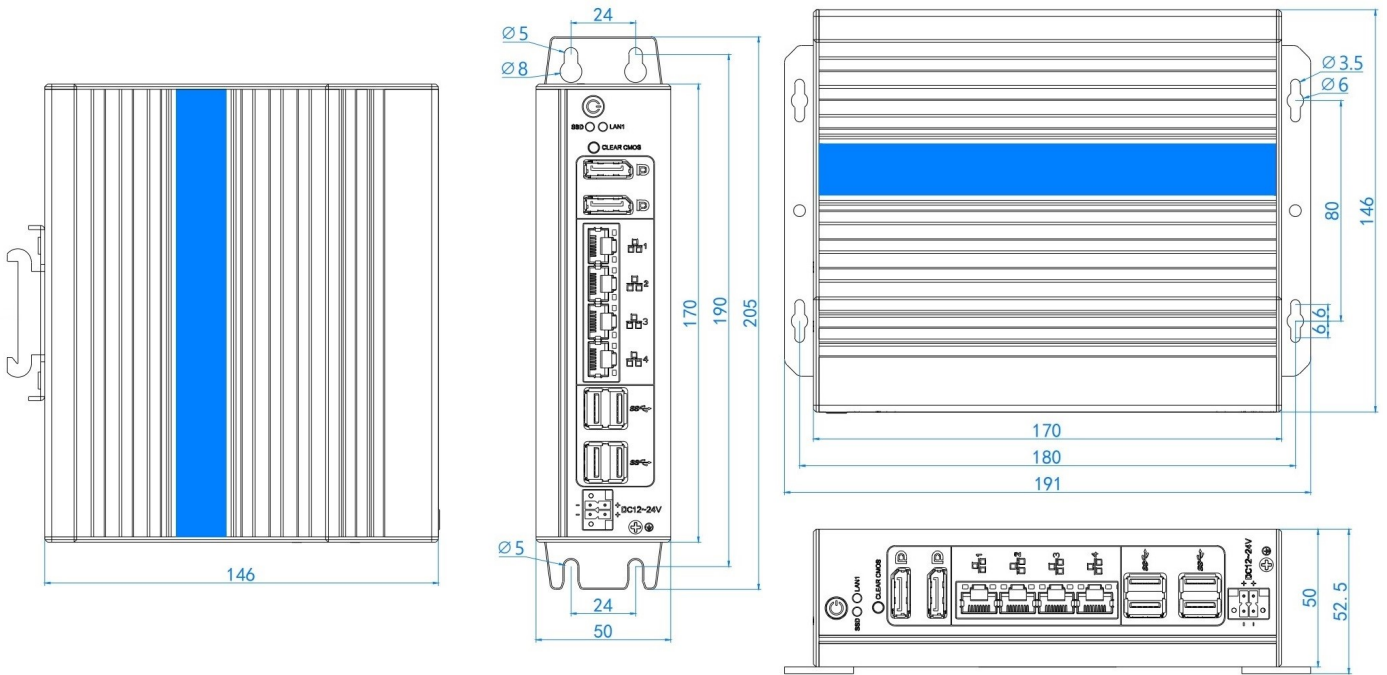
Strada Albareto, 503 - 41122 Modena - ITALY
Tel. +39 059 8751076 Fax. +39 059 8751025

Website: www.indatech.it

Email: info@indatech.it

Copyright © 2024 INDATECH. All rights reserved.

INDATECH®



Accessories Included:

- Power Adapter 12V @90W + Power Cable
- Wall, Book and DIN Rail Mounting options on request, Default Desktop Mount.

Compatible OS:

MS WINDOWS (64bit)

- Windows 10
- **Windows 10 Enterprise LTSC (IoT)**
- Windows 11
- Windows 11 Enterprise LTSC (IoT)



LINUX *

- CentOS 8
- Debian 12
- Fedora 39
- Ubuntu 22.04 LTS
- pfSense 2.7.2



* Linux distributions tested with the IPC.

Order Code:

B04 - 30C - WALLDIN-Slim - I7-1255U - RXX - SSDXXX

RAM	R08	(8 GB)	STORAGE	MSD (mSATA)	M2D/MSD256
	R16	(16 GB)		M2D (M.2)	Other on Request
	R32	(32 GB)			
	R64	(64 GB)			

*All product information may subject to change without prior notice.

*The rights of all brand names, product names and trademarks belong to their respective owners.

SARC ITALIA SRL

Strada Albareto, 503 - 41122 Modena - ITALY
Tel. +39 059 8751076 Fax. +39 059 8751025

Website: www.indatech.it

Email: info@indatech.it

Copyright © 2024 INDATECH. All rights reserved.