



IMF-G101X

Made in ITALY

- 10,1" Industrial Glass Frame Panel Monitor (16:10)
- WXGA (1280x800)
- Aluminum + Glass Frame front panel
- Projective Capacitive Multitouch - 10 points
- VGA + DVI
- 24VDC w/ Terminal Block 3P or 220VAC w/ IEC
- Panel and VESA Mount



DISPLAY

Size:	10,1"
Resolution:	WXGA (1280x800)
Aspect Ratio:	16:10
Backlight:	Led
Bright & Contrast:	500 cd/mq 800:1
Colors:	16 M
View Angle:	170° - 170°

TOUCH SCREEN

Glass Thickness:	2 mm
Technology:	Projective Capacitive Multitouch

FRONT PANEL

Thickness:	6 mm
Front Panel Type:	Aluminum + Glass Frame

I/O INTERFACE

Video Input:	1x DVI-D, 1x VGA
USB ports:	1x USB 2.0 for Touch Driver

POWER

Power in:	24VDC or 220VAC
Max Power:	~20 W max
Connector:	Terminal Block 3P IEC C13/C14 w/ 220 VAC

MECHANICAL

Material:	Aluminum + Steel
IP Protection:	IP65 on front side
Dimensions:	(W)280x(D)200(H)82,1mm
Weight:	3 Kg
Mounting:	Panel Mount / VESA 100

ENVIRONMENT

Operating temp.:	0°C ~ 60°C
Storage temp.:	-20°C ~ 70°C
Humidity:	40% ~ 60% Humidity, non-condensing
EMC:	CE, RoHS

*All product information may subject to change without prior notice.

*The rights of all brand names, product names and trademarks belong to their respective owners.

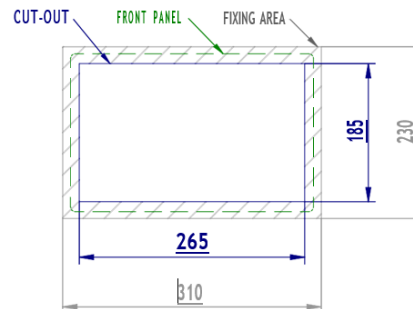
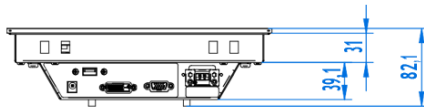
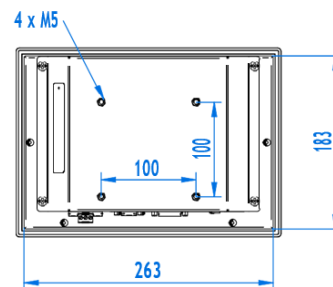
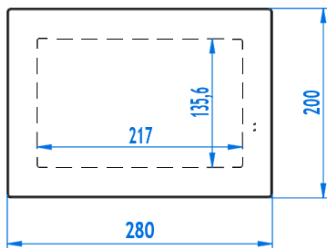
SARC ITALIA SRL

Strada Albareto, 503 - 41122 Modena - ITALY
Tel. +39 059 8751076 Fax. +39 059 8751025

Website: www.indatech.it

Email: info@indatech.it

Copyright © 2024 INDATECH. All rights reserved.



ACCESSORIES INCLUDED:

- Fast clamp Mounting Kit
- IEC Power Cable (included only w/ 220VAC)
- DVI/HDMI 3m cable
- USB cable 1,8m for Touch

ORDER CODE:

Contact your sales representative for configuration.