



## IMF-G121X

Made in ITALY

- 10,1" Industrial Glass Frame Panel Monitor (16:10)
- WXGA (1280x800)
- Aluminum + Glass Frame front panel
- Projective Capacitive Multitouch - 10 points
- VGA + DVI
- 24VDC w/ Terminal Block 3P or 220VAC w/ IEC
- Panel and VESA Mount



### DISPLAY

<b>Size:</b>	12,1"
<b>Resolution:</b>	WXGA (1280x800)
<b>Aspect Ratio:</b>	16:10
<b>Backlight:</b>	Led
<b>Bright &amp; Contrast:</b>	600 cd/mq 1000:1
<b>Colors:</b>	16 M
<b>View Angle:</b>	176° - 176°

### TOUCH SCREEN

<b>Glass Thickness:</b>	2 mm
<b>Technology:</b>	Projective Capacitive Multitouch

### FRONT PANEL

<b>Thickness:</b>	6 mm
<b>Front Panel Type:</b>	Aluminum + Glass Frame

### I/O INTERFACE

<b>Video Input:</b>	1x DVI-D, 1x VGA
<b>USB ports:</b>	1x USB 2.0 for Touch Driver

### POWER

<b>Power in:</b>	24VDC or 220VAC
<b>Max Power:</b>	~20 W max
<b>Connector:</b>	Terminal Block 3P IEC C13/C14 w/ 220 VAC

### MECHANICAL

<b>Material:</b>	Aluminum + Steel
<b>IP Protection:</b>	IP65 on front side
<b>Dimensions:</b>	(W)330x(D)230(H)82,1mm
<b>Weight:</b>	3 Kg
<b>Mounting:</b>	Panel Mount / VESA 100

### ENVIRONMENT

<b>Operating temp.:</b>	0°C ~ 60°C
<b>Storage temp.:</b>	-20°C ~ 70°C
<b>Humidity:</b>	40% ~ 60% Humidity, non-condensing
<b>EMC:</b>	<b>CE, RoHS</b>

\*All product information may subject to change without prior notice.

\*The rights of all brand names, product names and trademarks belong to their respective owners.

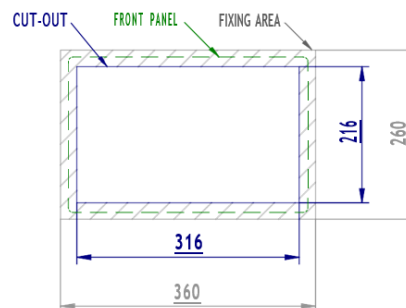
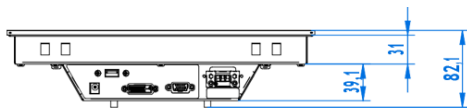
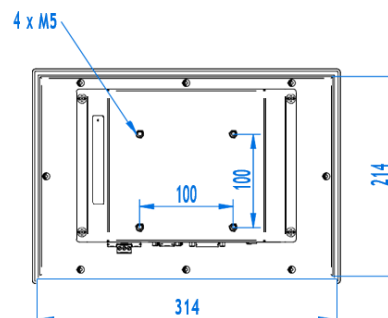
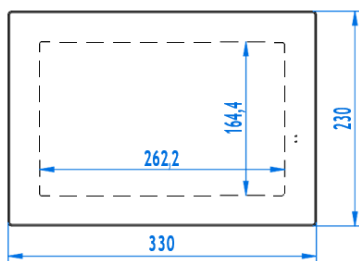
## SARC ITALIA SRL

Strada Albareto, 503 - 41122 Modena - ITALY  
Tel. +39 059 8751076 Fax. +39 059 8751025

Website: [www.indatech.it](http://www.indatech.it)

Email: [info@indatech.it](mailto:info@indatech.it)

Copyright © 2024 INDATECH. All rights reserved.



## ACCESSORIES INCLUDED:

- Fast clamp Mounting Kit
- IEC Power Cable (included only w/ 220VAC)
- DVI/HDMI 3m cable
- USB cable 1,8m for Touch

## ORDER CODE:

Contact your sales representative for configuration.