



IMF-G215X

Made in ITALY

- 21,5" Industrial Glass Frame Panel Monitor (16:9)
- Full-HD (1920x1080) resolution
- Aluminum + Glass Frame front panel
- Projective Capacitive Multitouch - 10 points
- VGA + DVI + HDMI + DP
- 24 VDC w/ Terminal Block or 220 VAC w/ IEC connector
- Panel and VESA Mount



DISPLAY

Size:	21,5"
Resolution:	Full-HD (1920x1080)
Aspect Ratio:	16:9
Backlight:	Led
Bright & Contrast:	250 cd/mq 1000:1
Colors:	16 M
View Angle:	170° - 160°

TOUCH SCREEN

Glass Thickness:	2 mm
Technology:	Projective Capacitive Multitouch

FRONT PANEL

Thickness:	6 mm
Front Panel Type:	Aluminum + Glass Frame

I/O INTERFACE

Video Input:	1x DVI-D, 1x VGA, 1x DP 1.2, 1x HDMI 1.4
USB ports:	1x USB 2.0 for Touch Driver 1x USB HUB with 2x USB 2.0 (optional)

POWER

Power in:	24 VDC or 220 VAC
Max Power:	~20 W max
Connector:	Terminal Block or IEC connector

MECHANICAL

Material:	Aluminum + Steel
IP Protection:	IP65 on front side
Dimensions:	(W)554x(D)345x(H)77,3mm
Weight:	9 Kg
Mounting:	Panel Mount / VESA 100

ENVIRONMENT

Operating temp.:	0°C ~ 60°C
Storage temp.:	-20°C ~ 70°C
Humidity:	0% ~ 90% Humidity, non-condensing

EMC: CE, RoHS

*All product information may subject to change without prior notice.

*The rights of all brand names, product names and trademarks belong to their respective owners.

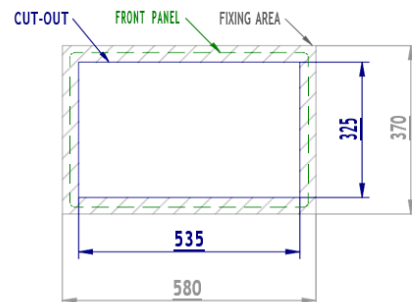
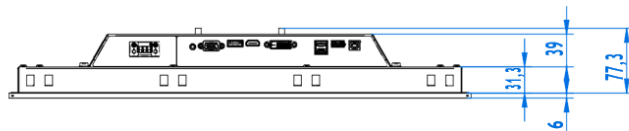
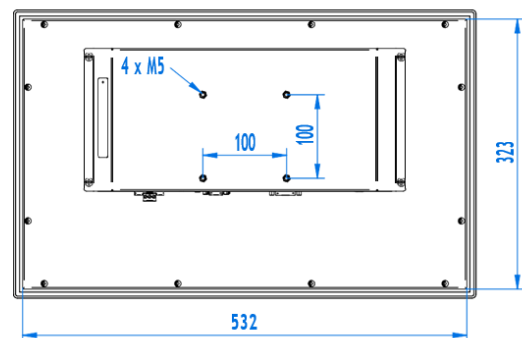
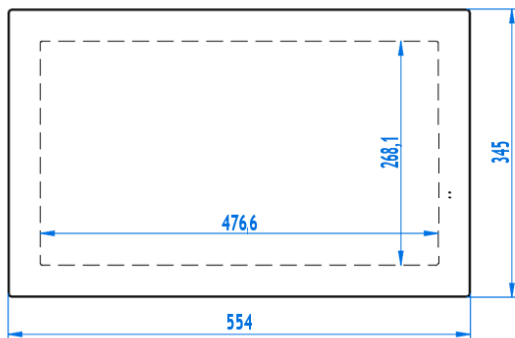
SARC ITALIA SRL

Strada Albareto, 503 - 41122 Modena - ITALY
Tel. +39 059 8751076 Fax. +39 059 8751025

Website: www.indatech.it

Email: info@indatech.it

Copyright © 2024 INDATECH. All rights reserved.



ACCESSORIES INCLUDED:

- Fast clamp Mounting Kit
- IEC Power Cable (included only w/ 220VAC)
- HDMI/HDMI 2m cable
- USB cable 1,8m for Touch

ORDER CODE:

Contact your sales representative for configuration.